

Q's Plumbing

---

# 123 Residential Ave - New Build

2026-05-09

11 Specification Sheets

---

## TABLE OF CONTENTS

#	Model	Description	Page
1	MAAX 105512-L-000-001	Exhibit 60 inch x 32 inch Acrylic Alcove Bathtub, Left-...	2
2	MAAX 105519-L-000-001	Exhibit 60 inch x 30 inch Acrylic Alcove Bathtub, Left-...	4
3	Delta T17453	Vero Monitor 17 Series Tub and Shower Trim, Chrome	6
4	Delta R10000-PX	MultiChoice Bathtub/Shower Valve, PEX Connection	7
5	Delta T11953	Vero 6-Setting, 3-Port Diverter Trim, Chrome	8
6	Delta R11000	Shower Diverter Rough-in Valve, 3/6 Function	9
7	Delta 57530	Vero Square 1-Function Wall-Mount Handshower, WaterSens...	10
8	Delta 50570	Square Wall Elbow, Chrome	11
9	Delta 50150	Solid Brass 2.0 inch Body Spray, Chrome	12
10	Delta 3553LF	Vero 3-3/4 inch Brass High-Arc Deck-Mount 3-Hole Widesp...	13
11	Delta T17253	Vero Monitor 17 Series Shower Trim, Chrome	14

# Exhibit 6032 IFS AFR

123 Residential Ave - New Build  
**MAAX 105512-L-000-001**  
 Supplier: Bob's Plumbing supply  
 Subcontractor: Jim's Tile Works

**Model number:** 105512

**Dimensions:** 60" x 32" x 20"      **Installation:** Alcove      **Material:** Acrylic



### Standard Features:

- Rectangular shape bathtub in alcove installation
- Available in Above-the-Floor Rough (AFR) or not
- Minimalist look with discreet armrests and textured floor
- Deck for faucet installation
- Integrated skirt with access panel when equipped with a system

### Product characteristics:

- Elegant design
- Integrated Tiling Flange and Skirt
- Textured Floor

### Warranty:

25 Years

### Standard colors:



### Certifications

MAAX products adhere to one or more of the following certifications:



### Recommended products (Visit our website for a complete list of our recommended products)

No	Description
105409-965-170-	MIKA TUB DR 54-59 1/2 X 55 1/2 HAMMER VELO
105410-970-084-	POLAR TUB DOOR 54-59 1/2 X 57 3/8 RAINDROP CHROME
134661-900-084	KAMELEON 6MM TUB 55-59 X57 CLEAR GLASS FINISH CHROME CHROME

### Options (Visit our website for a complete list of our options)

No	Description
<input type="checkbox"/> OPT 10019-XXX	REMOVABLE IFS PANEL
<input checked="" type="checkbox"/> OPT 10053-XXX	CHROMATHERAPY FOR BATHUB W OR W/O SYST.
<input type="checkbox"/> OPT 10095-XXX	WATER HEATER
<input type="checkbox"/> OPT 10106-084-	M.T.K.6 HYDROMAX 8 BACKMAX,2 FOOTMAX CH
<input type="checkbox"/> OPT 20029-084-	AIR PUSH COVER CHROME

# Exhibit 6032 IFS AFR

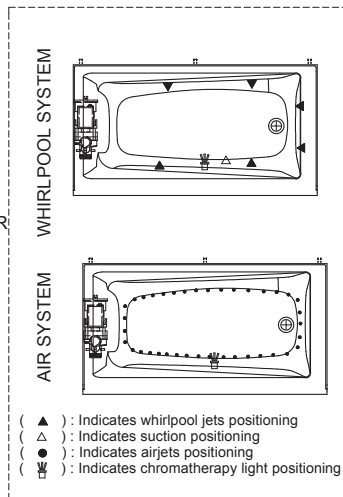
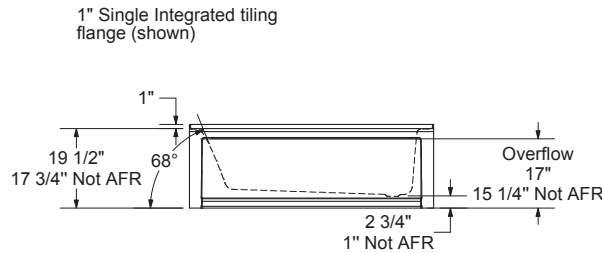
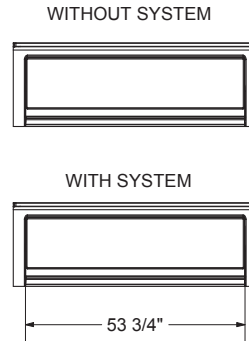
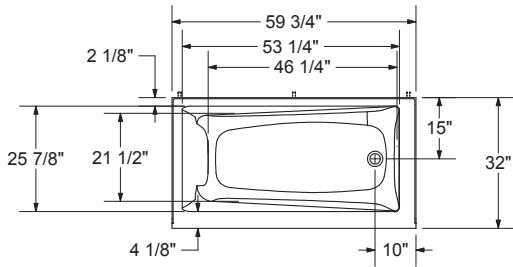
123 Residential Ave - New Build  
**MAAX 105512-L-000-001**  
 Supplier: Bob's Plumbing supply  
 Subcontractor: Jim's Tile Works

**Model number:** 105512

**Dimensions:** 60" x 32" x 20"

**Installation:** Alcove

**Material:** Acrylic



Wood support design may vary.  
 Single integrated tiling flange: 1" height x 1/4" thickness (shown)  
 All dimensions are approximate.  
 Structure measurement must be verified against the unit to ensure proper fit.

Project: \_\_\_\_\_

Contractor: \_\_\_\_\_

Representative: \_\_\_\_\_

Date: \_\_\_\_\_

Tel: \_\_\_\_\_

Notes: \_\_\_\_\_

\_\_\_\_\_

\_\_\_\_\_

# MAAX SUBMITTAL SPECIFICATIONS

## Exhibit 6030 IFS

**MODEL NUMBER 105519**

DIMENSIONS: 60" x 30" x 19" Acrylic



123 Residential Ave - New Build  
**MAAX 105519-L-000-001**  
 Supplier: Bob's Plumbing supply  
 Subcontractor: Jim's Tile Works



### STANDARD FEATURES

- Rectangular shape bathtub in Alcove installation
- Available in Above-the-Floor Rough (AFR) or not
- Minimalist look with discreet armrests and textured floor
- Integrated tiling flange
- Integrated skirt with access panel when equipped with a system

### OPTIONS

- Removable access panel
- One chromatherapy light
- Water heater assembly (factory installed)
- Metal trim kit for whirlpool and combined systems
- Metal trim kit for Air Push Control
- Cable-operated waste and overflow

### UNIQUE FEATURES

- Tiling Flange

### SYSTEMS

-  MAAX Professional Whirlpool
-  Aeroeffect **DOOR**
-  Combined Whirlpool/Aeroeffect
-  Chromatherapy **SELECTION**

Combine with MAAX's complete shower door offering visit [www.maax.com](http://www.maax.com)

### CERTIFICATIONS

Maax products adhere to one or more of the following certifications:



Project : .....

Contractor : .....

MAAX Representative : ..... Tel : .....

Date : .....

[www.maax.com](http://www.maax.com)

2017-06-05

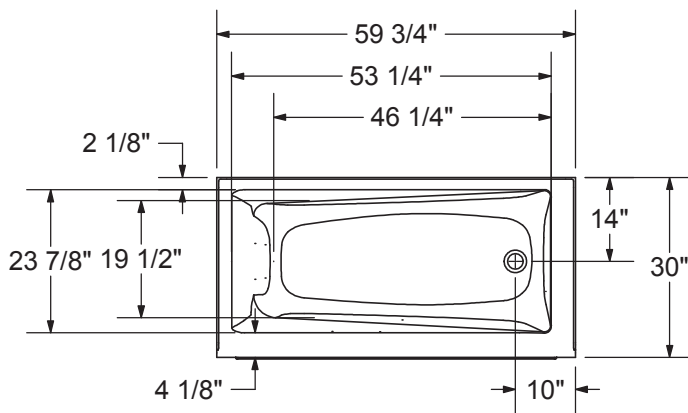
# MAAX SUBMITTAL SPECIFICATIONS

Enjoy the experience

## Exhibit 6030 IFS

MODEL NUMBER 105519

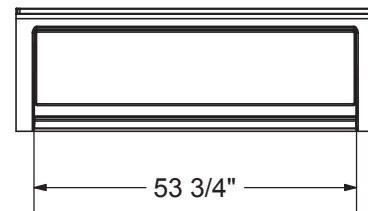
### TECHNICAL DRAWINGS



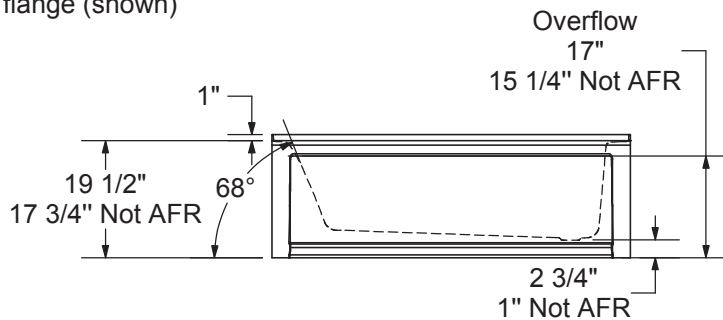
WITHOUT SYSTEM



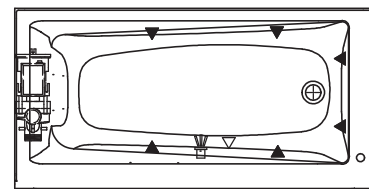
WITH SYSTEM



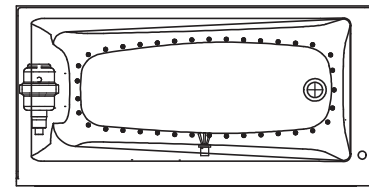
1" Single Integrated tiling flange (shown)



WHIRLPOOL SYSTEM



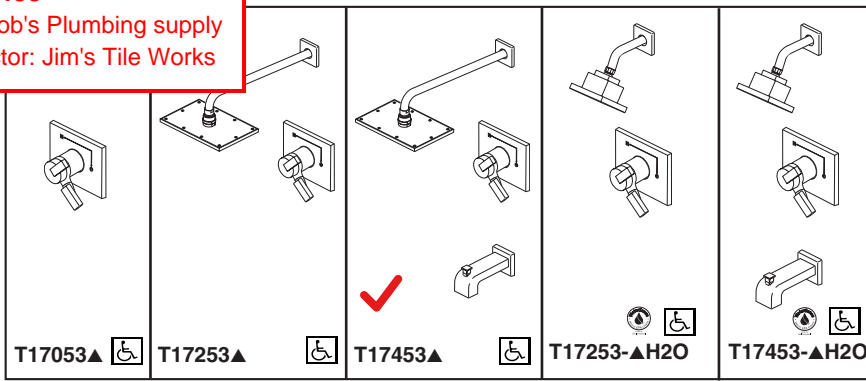
AIR SYSTEM



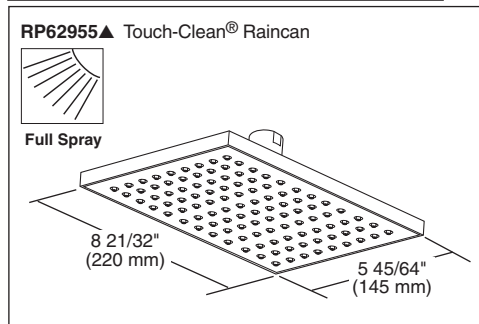
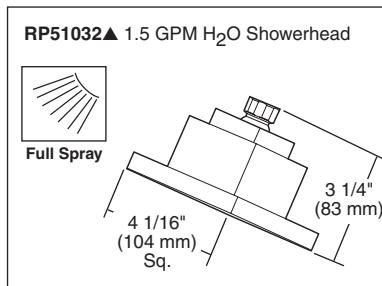
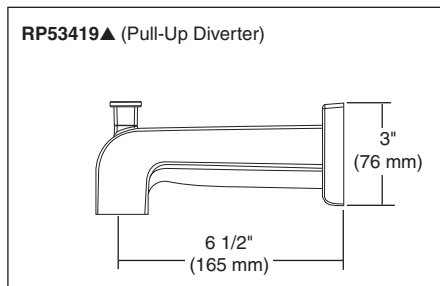
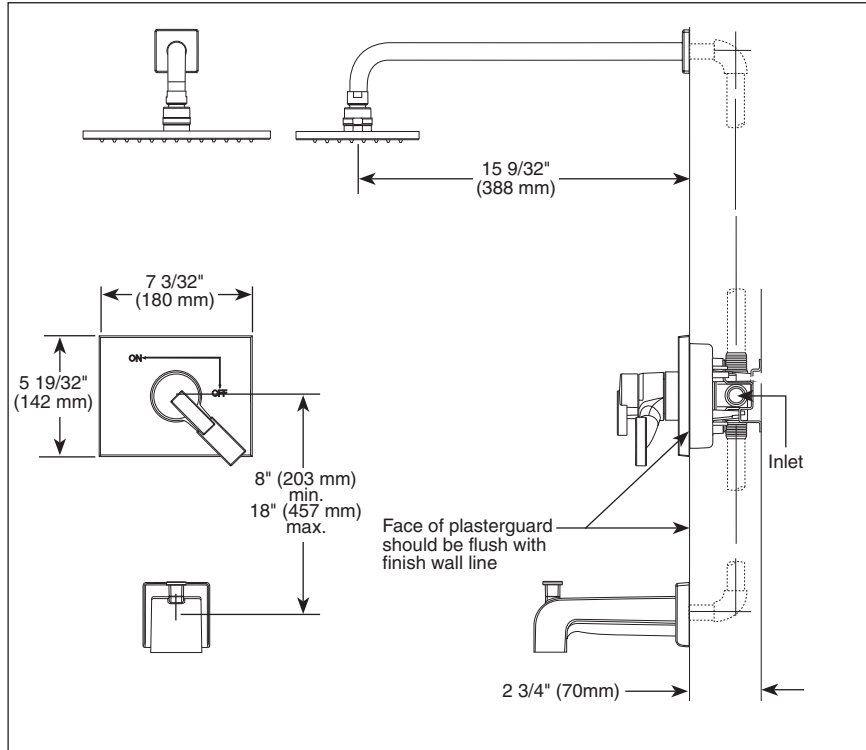
- ( ▲ ) : Indicates whirlpool jets positioning
- ( △ ) : Indicates suction positioning
- ( ● ) : Indicates airjets positioning
- ( ☒ ) : Indicates chromotherapy light positioning

Wood support design may vary.  
 Single Integrated tiling flange: 1" height x 1/4" thickness (shown)

All dimensions are approximate. Structure measurements must be verified against the unit to ensure proper fit.



Submitted Model No.: \_\_\_\_\_  
 Specific Features: \_\_\_\_\_



▲ Designate Proper Finish Suffix

Delta reserves the right (1) to make changes in specifications and materials, and (2) to change or discontinue models, both without notice or obligation. Dimensions are for reference only. See current full-line price book or [www.specselect.com](http://www.specselect.com) for finish options and product availability.

DSP-B-T17053 Rev. B



# TUB AND SHOWER FAUCET TRIM

- Vero Bath Collection
- Valve Only Trim (T17053)
- Shower Only Trim (T17253)
- **Tub/Shower Trim (T17453)**

## STANDARD SPECIFICATIONS:

- Monitor® 17 Series pressure balanced bath mixing valve with Scald-Guard®.
- Maintains a balanced pressure of hot and cold water even when a valve is turned on or off elsewhere in the system.
- For use with MultiChoice® Universal rough valve body. (R10000 Series)
- Back-to-back installation capability.
- Solid brass forged body.
- Lever volume control handle; temperature adjustment dial.
- Field adjustable to limit handle rotation into hot water zone.
- Maximum dial rotation adjustable between 90° and 180°.
- All parts replaceable from the front of the valve.

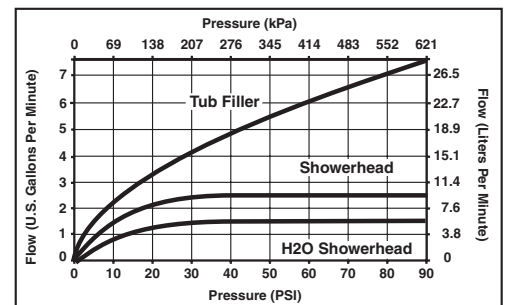
## WARRANTY

- Lifetime Faucet and Finish Limited Warranty to the original consumer purchaser to be free from defects in material and workmanship.
- 5 Year Limited Warranty for usage in all industrial, commercial and business applications.



## COMPLIES WITH:

- ASME A112.18.1 / CSA B125.1
- ASSE 1016
- Indicates compliance to ICC/ANSI A117.1
- EPA WaterSense (**H2O models only**)



55 E. 111th Street, Indianapolis, Indiana 46280  
 395 Matheson Blvd. E., Mississauga, ON L4Z 2H2  
 © 2010 Masco Corporation of Indiana

123 Residential Ave - New Build  
**Delta R10000-PX**

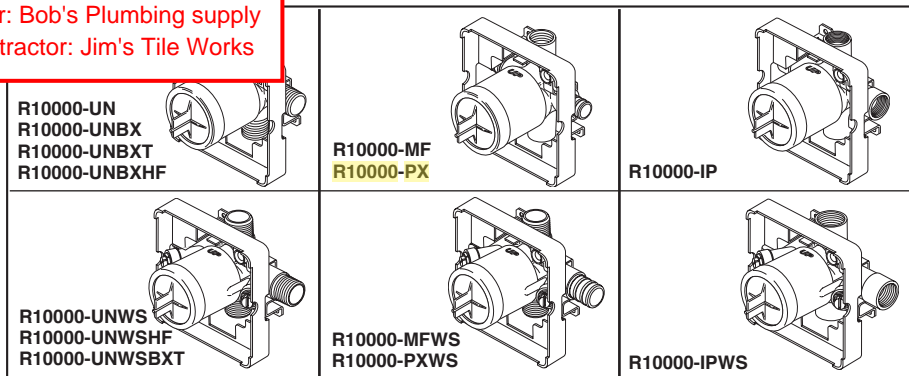
Supplier: Bob's Plumbing supply  
 Subcontractor: Jim's Tile Works



see what Delta can do™

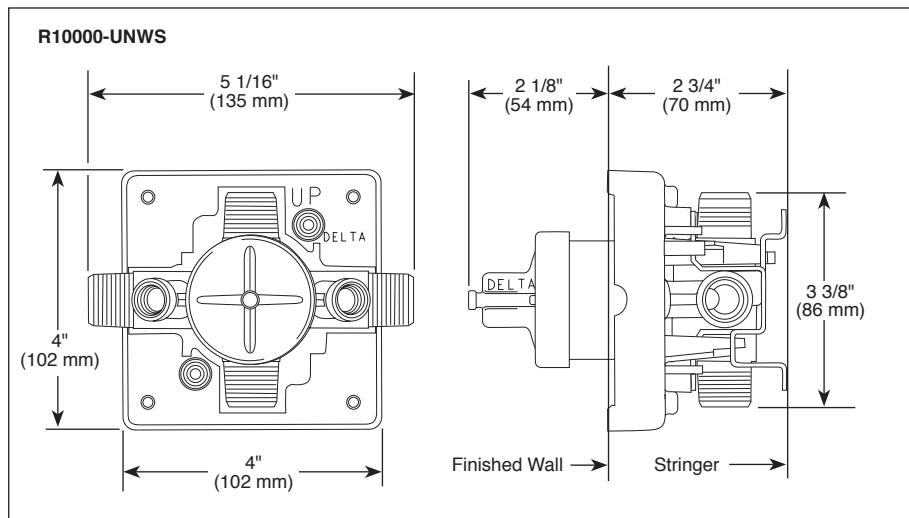
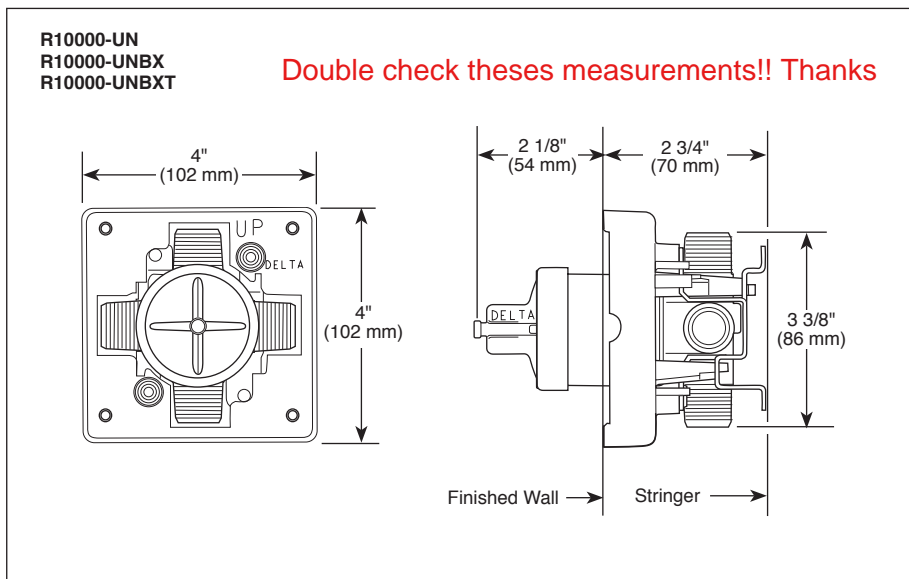
# MULTICHOICE® UNIVERSAL ROUGH VALVE BODY

- R10000-UN (Universal Inlets/Outlets)
- R10000-UNBX (Universal Single Box Model)
- R10000-UNBXHF (High Flow Shower Only)
- R10000-UNBXT (Thin Wall)
- R10000-UNWS (Universal with Stops)
- R10000-UNWSHF (High Flow with Stops)
- R10000-UNWSBXT (Thin Wall with Stops)
- R10000-PX (Pex Crimp Connections with UN Outlets)
- R10000-PXWS (Pex Crimp Connections with Stop with UN Outlets)
- R10000-IP (IPS Inlets/Outlets)
- R10000-IPWS (IPS with Stops)
- R10000-MF (Pex Cold Expansion Connections with UN Outlets)
- R10000-MFWS (Pex Cold Expansion with Stops with UN Outlets)



Submitted Model No.: \_\_\_\_\_

Specific Features: \_\_\_\_\_



### STANDARD SPECIFICATIONS:

- Forged brass body.
  - Back-to-Back installation capabilities.
  - Can be tested with air (200 PSI) or water (300 PSI) without valve using supplied test cap.
  - Square plasterguard allows for right angle cuts.
  - Thin wall mounting.
  - For use with MultiChoice® Universal single or dual function trim. Cartridge ships with trim.
  - 1/2" outlets and connections.
- Note: No tub outlet in HF model.
- Note: Should use proper fitting with each type (copper tubing, iron pipe, and pex fitting).
- Note: Should use proper tooling with crimping pex fitting and cold expansion pex models.
- Note: IP indicates female 1/2" threaded connections.
- Note: UN indicates Universal type fitting and is 1/2" NPT male thread with 1/2" C.W.T. female sweat.

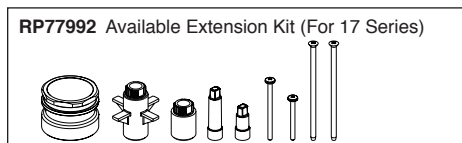
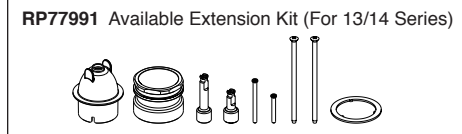
### WARRANTY

- Lifetime limited warranty on parts (other than electronic parts and batteries) and finishes: or, for commercial users, for 5 years from date of purchase.
- 5 year limited warranty on electronic parts (other than batteries); or, for commercial users, for 1 year from the date of purchase. No warranty is provided on batteries.

### COMPLIES WITH:

- ASME A112.18.1 / CSA B125.1

**Delta Faucet Company**  
 55 E. 111th Street, Indianapolis, IN 46280  
 350 South Edgeware Road, St. Thomas, ON N5P 1L6  
 © 2017 Delta Faucet Company

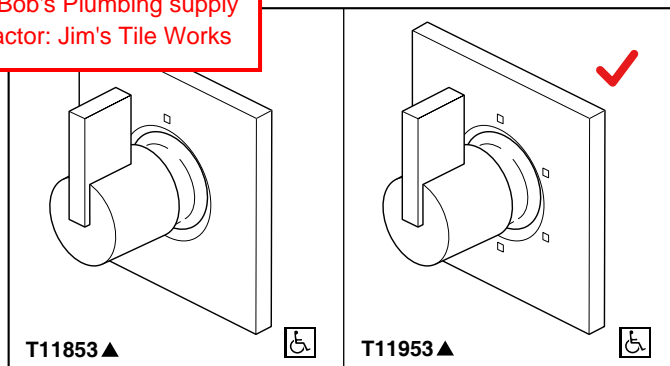


Delta reserves the right (1) to make changes in specifications and materials, and (2) to change or discontinue models, both without notice or obligation. Dimensions are for reference only. See current full-line price book or www.deltafaucet.com for finish options and product availability.



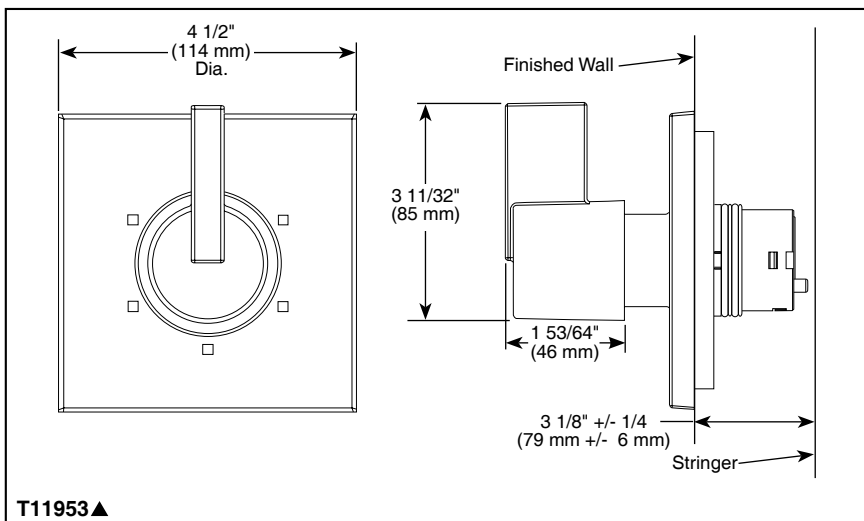
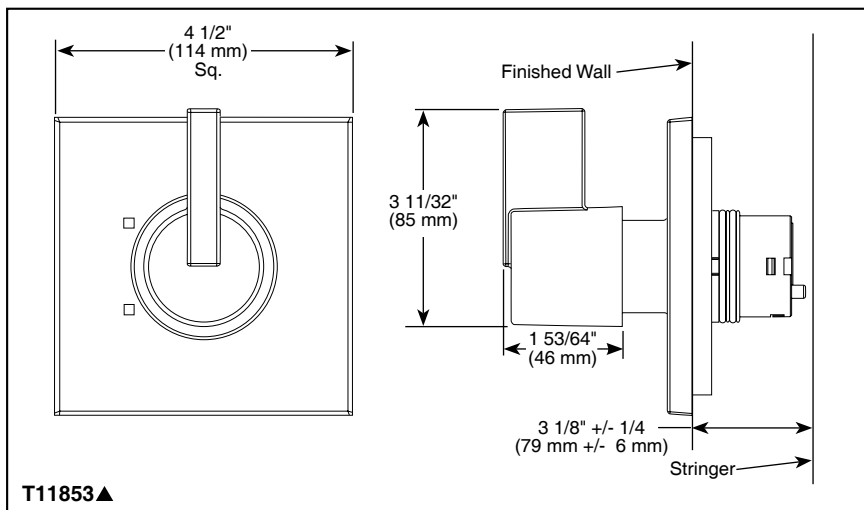
# CUSTOM SHOWER DIVERTER

- Vero Collection
- **Three Function Diverter Trim (T11853)**
- Six Function Diverter Trim (T11953)
- Coordinates With All Delta Vero Styled Bath Suites



Submitted Model No.: \_\_\_\_\_

Specific Features: \_\_\_\_\_



## STANDARD SPECIFICATIONS

- Three function diverter 2 individual positions, 1 shared position.
- Six function diverter 3 individual positions, 3 shared positions.
- 1/2" rough-in.
- Must also order R1 1000 rough-in.
- Two individual positions, no shared positions order cartridge RP71717.
- Three individual positions, no shared positions order cartridge RP71718.

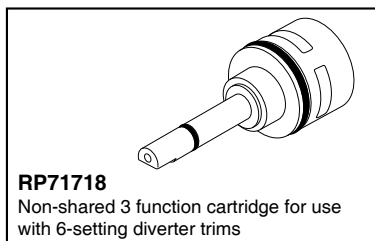
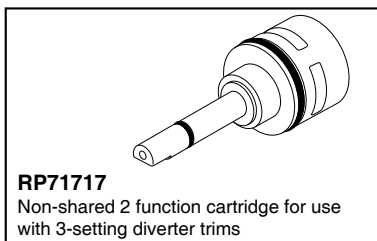
## WARRANTY

- Lifetime Faucet and Finish Limited Warranty to the original consumer purchaser to be free from defects in material and workmanship.
- 5 Year Limited Warranty for usage in all industrial, commercial and business applications.



## COMPLIES WITH:

- ASME A112.18.1 / CSA B125.1
- Indicates compliance to ICC/ANSI A117.1



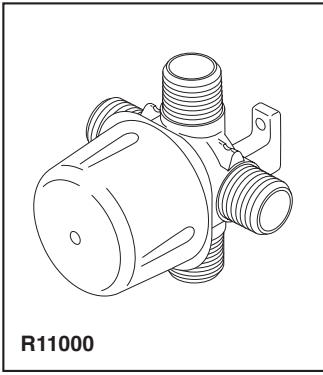
▲ Designate proper finish suffix

Delta reserves the right (1) to make changes in specifications and materials, and (2) to change or discontinue models, both without notice or obligation. Dimensions are for reference only. See current full-line price book or [www.specselect.com](http://www.specselect.com) for finish options and product availability.

DSP-B-T11853 Rev. B



55 E. 111th Street, Indianapolis, Indiana 46280  
 350 South Edgeware Road, St. Thomas, Ontario Canada N5P 4L1  
 © 2012 Masco Corporation of Indiana



123 Residential Ave - New Build  
**Delta R11000**  
 Supplier: Bob's Plumbing supply  
 Subcontractor: Jim's Tile Works



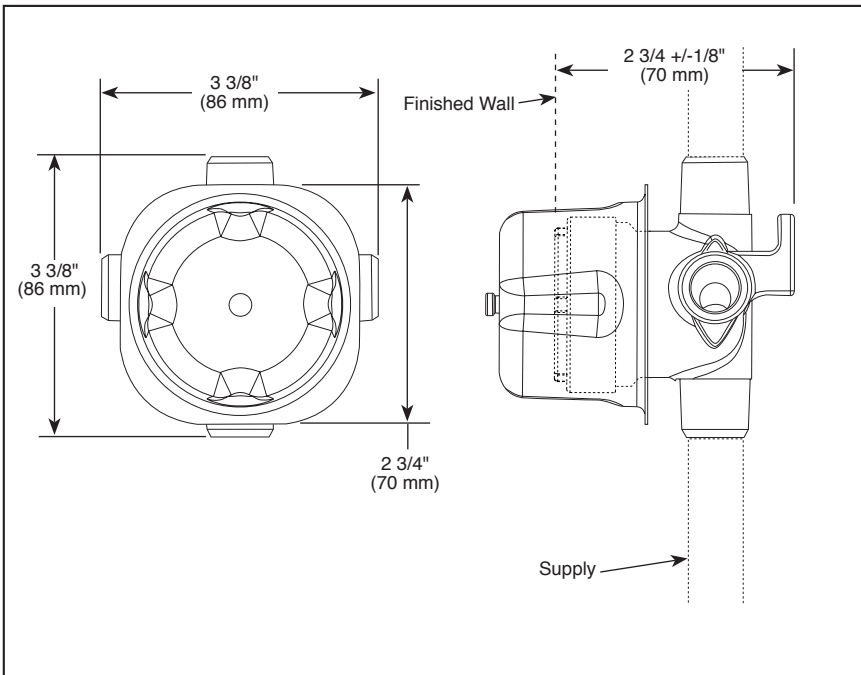
see what Delta can do™

# ROUGH VALVE BODY

- R11000 (Case Qty. 3)
- 1/2" Rough-In

Submitted Model No.: \_\_\_\_\_

Specific Features: \_\_\_\_\_



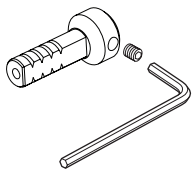
## STANDARD SPECIFICATIONS

- Three port diverter rough
- For use with (3) three or (6) six function diverter.
- Forged brass body
- Can be tested with air (200 psi) or water (300 psi) using supplied test cap
- Refer to the installation instructions for more details

## WARRANTY

- Lifetime limited warranty on parts (other than electronic parts and batteries) and finishes: or, for commercial users, for 5 years from date of purchase.
- 5 year limited warranty on electronic parts (other than batteries); or, for commercial users, for 1 year from the date of purchase. No warranty is provided on batteries.

**RP75137 Available Extension Kit**



## COMPLIES WITH:

- ASME A112.18.1 / CSA B125.1

Delta reserves the right (1) to make changes in specifications and materials, and (2) to change or discontinue models, both without notice or obligation. Dimensions are for reference only. See current full-line price book or [www.deltafaucet.com](http://www.deltafaucet.com) for finish options and product availability.

DSP-B-R11000 Rev. F

## Delta Faucet Company

55 E. 111th Street, Indianapolis, IN 46280  
 350 South Edgeware Road, St. Thomas, ON N5P 4L1  
 © 2018 Delta Faucet Company

123 Residential Ave - New Build  
**Delta 57530**  
 Supplier: Bob's Plumbing supply  
 Subcontractor: Jim's Tile Works

see what Delta can do™

# PERSONAL HAND HELD SHOWERS

- **Vero® Bath Collection**
- **Hand Shower with Full Spray Pattern and Touch Clean Nubs**

## STANDARD SPECIFICATIONS:

- Maximum 1.75 gpm @ 80 psi, 6.6 L/min @ 550 kPa
- 60"-82" (1524 mm - 2083 mm) stretchable metal hose
- Certified dual check valves for backflow protection
- 24" (610 mm) wall bar with adjustable slide [allows for adjustable shower height] - 57530 only  
 Not to be used as a Grab Bar. Not ADA compliant
- Wall mount bracket - 55530 only

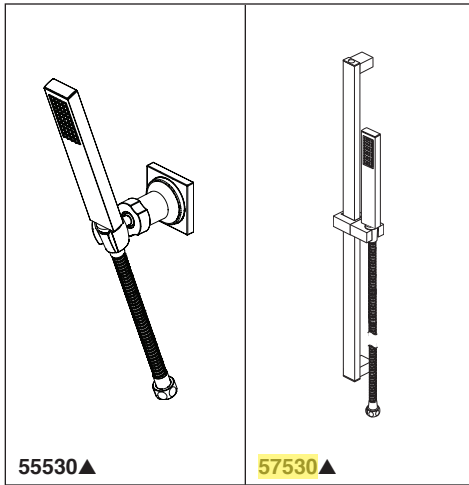
## WARRANTY

- Parts and Finish - Lifetime limited warranty; or for commercial purchasers, 10 years for multi-family residential (apartments and condominiums) and 5 years for all other commercial uses, in each case from the date of purchase.
- Electronic Parts and Batteries (if applicable) - 5 years from the date of purchase; or for commercial purchasers, 1 year from the date of purchase. No warranty is provided on batteries.

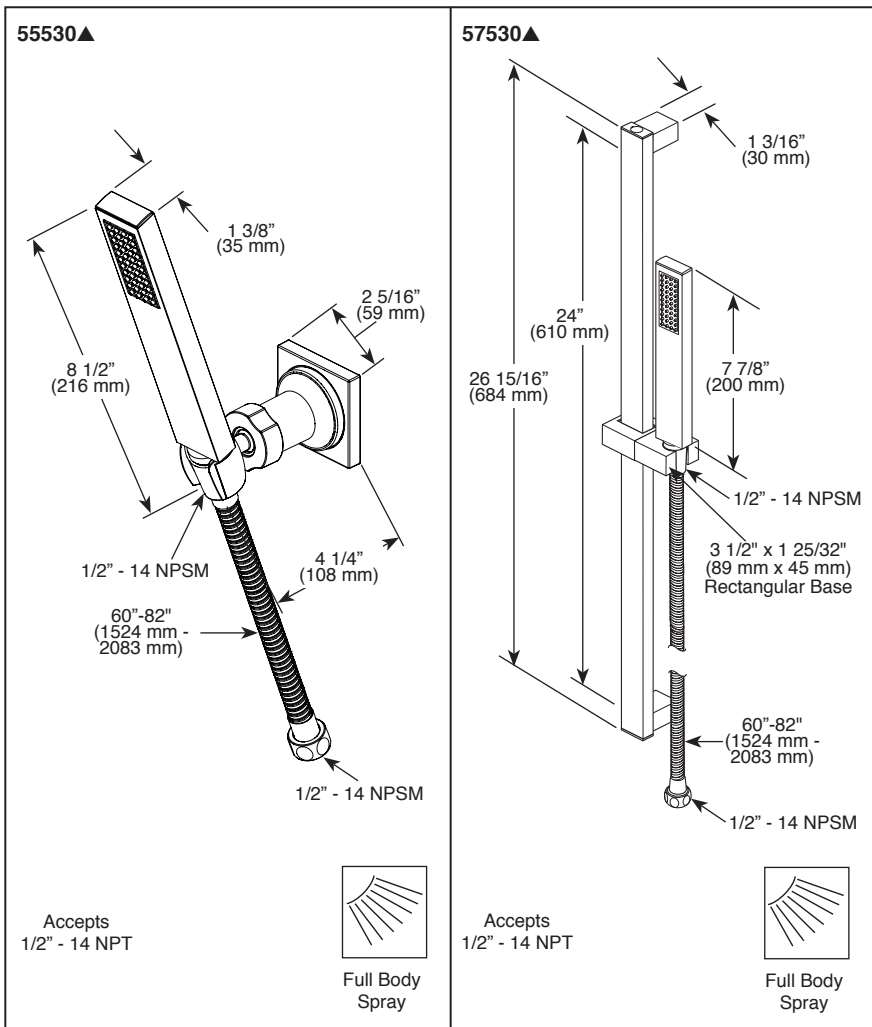


## COMPLIES WITH:

- ASME A112.18.1 / CSA B125.1 ◆
- EPA WaterSense®



Submitted Model No.: \_\_\_\_\_  
 Specific Features: \_\_\_\_\_



▲ Designate proper finish suffix

◆ Your Delta Faucet hand shower incorporates a backflow protection system that has been tested to be in compliance with ASME A112.18.3, CSA B125.1 and ASME A112.18.1. It incorporates two certified check valves in series, which operate independently and are integral, non-serviceable parts of the wand assembly.

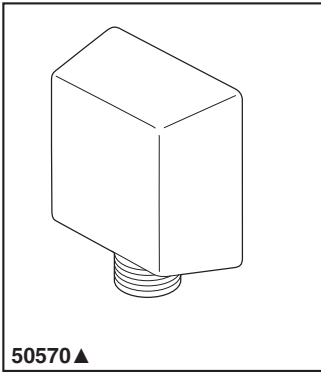
Delta reserves the right (1) to make changes in specifications and materials, and (2) to change or discontinue models, both without notice or obligation. Dimensions are for reference only. See current full-line price book or www.deltafaucet.com for finish options and product availability.

DSP-B-55530 Rev. E

**Delta Faucet Company**  
 55 E. 111th Street, Indianapolis, IN 46280  
 350 South Edgeware Road, St. Thomas, ON N5P 4L1  
 © 2019 Delta Faucet Company

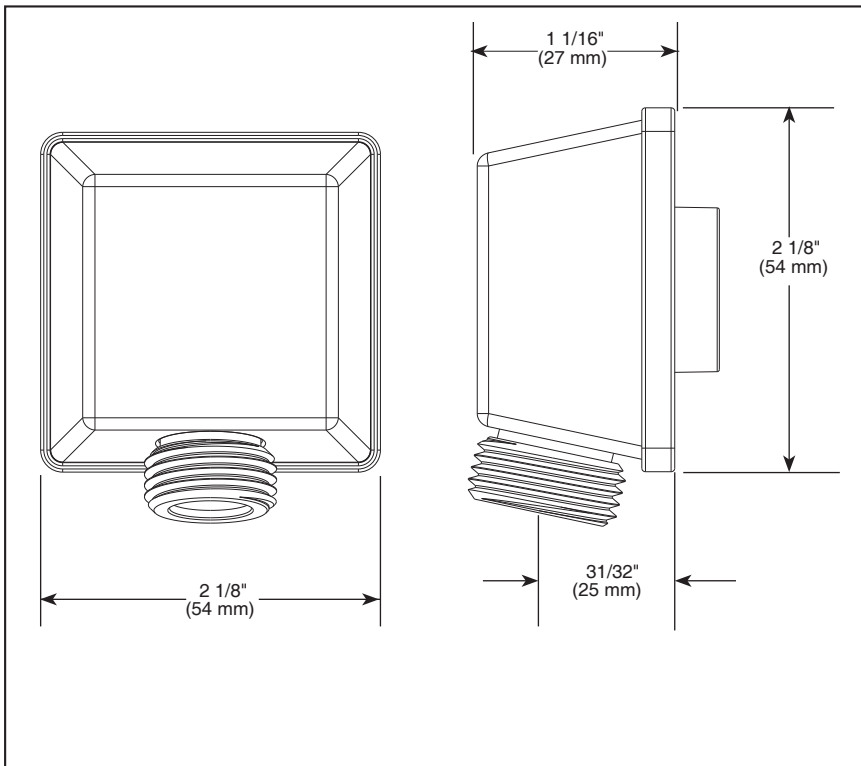
123 Residential Ave - New Build  
**Delta 50570**  
Supplier: Bob's Plumbing supply  
Subcontractor: Jim's Tile Works

## ELBOW



Submitted Model No.: \_\_\_\_\_

Specific Features: \_\_\_\_\_



▲ Designate proper finish suffix

### STANDARD SPECIFICATIONS

- Solid brass construction.
- 1/2" female NPT inlet.
- 1/2" male NPSM outlet for connecting to shower hoses.

### WARRANTY

- Lifetime Faucet and Finish Limited Warranty to the original consumer purchaser to be free from defects in material and workmanship.
- 5 Year Limited Warranty for usage in all industrial, commercial and business applications.

### COMPLIES WITH:

- ASME A112.18.1 / CSA B125.1

Delta reserves the right (1) to make changes in specifications and materials, and (2) to change or discontinue models, both without notice or obligation. Dimensions are for reference only. See current full-line price book or [www.specselect.com](http://www.specselect.com) for finish options and product availability.

DSP-B-50570 Rev. A



55 E. 111th Street, Indianapolis, Indiana 46280  
350 South Edgeware Road, St. Thomas, ON N5P 4L1  
© 2012 Masco Corporation of Indiana

123 Residential Ave - New Build  
**Delta 50150**  
 Supplier: Bob's Plumbing supply  
 Subcontractor: Jim's Tile Works

See what Delta can do

## BODY SPRAY

### FEATURES:

- Lumicoat™ Finish (brilliance finishes only) on model numbers with "PR"
- Lumicoat™ Finishes easily wipe clean without cleaners and chemicals on the products most commonly touched areas

### STANDARD SPECIFICATIONS

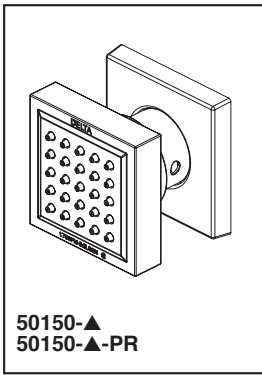
- Max. flow rate 1.75 gpm @ 80 psi, 6.6 L/min @ 550 kPa
  - 1/2" rough-in\*
  - 30° up and down adjustment
  - Solid brass construction
  - Matching finish spray face
  - Touch-clean® nubs
- \*Note: This installation requires a 1/2" male threaded pipe fitting to extend 1/4" beyond the finished surface.

### WARRANTY

- Parts and Finish - Lifetime limited warranty; or for commercial purchasers, 10 years for multi-family residential (apartments and condominiums) and 5 years for all other commercial uses, in each case from the date of purchase.
- Electronic Parts and Batteries (if applicable) - 5 years from the date of purchase; or for commercial purchasers, 1 year from the date of purchase. No warranty is provided on batteries.

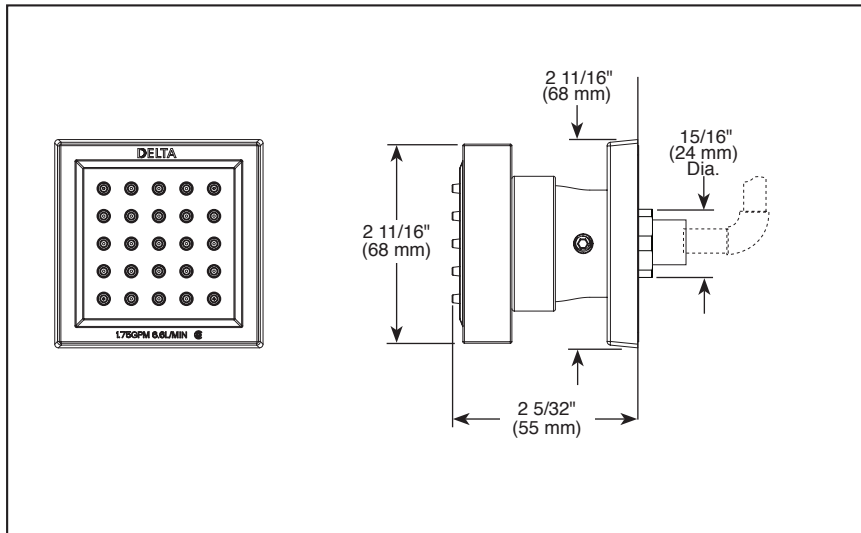
### COMPLIES WITH:

- ASME A112.18.1 / CSA B125.1



Submitted Model No.: \_\_\_\_\_

Specific Features: \_\_\_\_\_



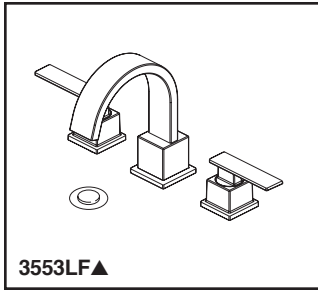
▲ Designate Proper Finish Suffix

Delta reserves the right (1) to make changes in specifications and materials, and (2) to change or discontinue models, both without notice or obligation. Dimensions are for reference only. See current full-line price book or [www.deltafaucet.com](http://www.deltafaucet.com) for finish options and product availability.

DSP-B-50150 Rev. D

### Delta Faucet Company

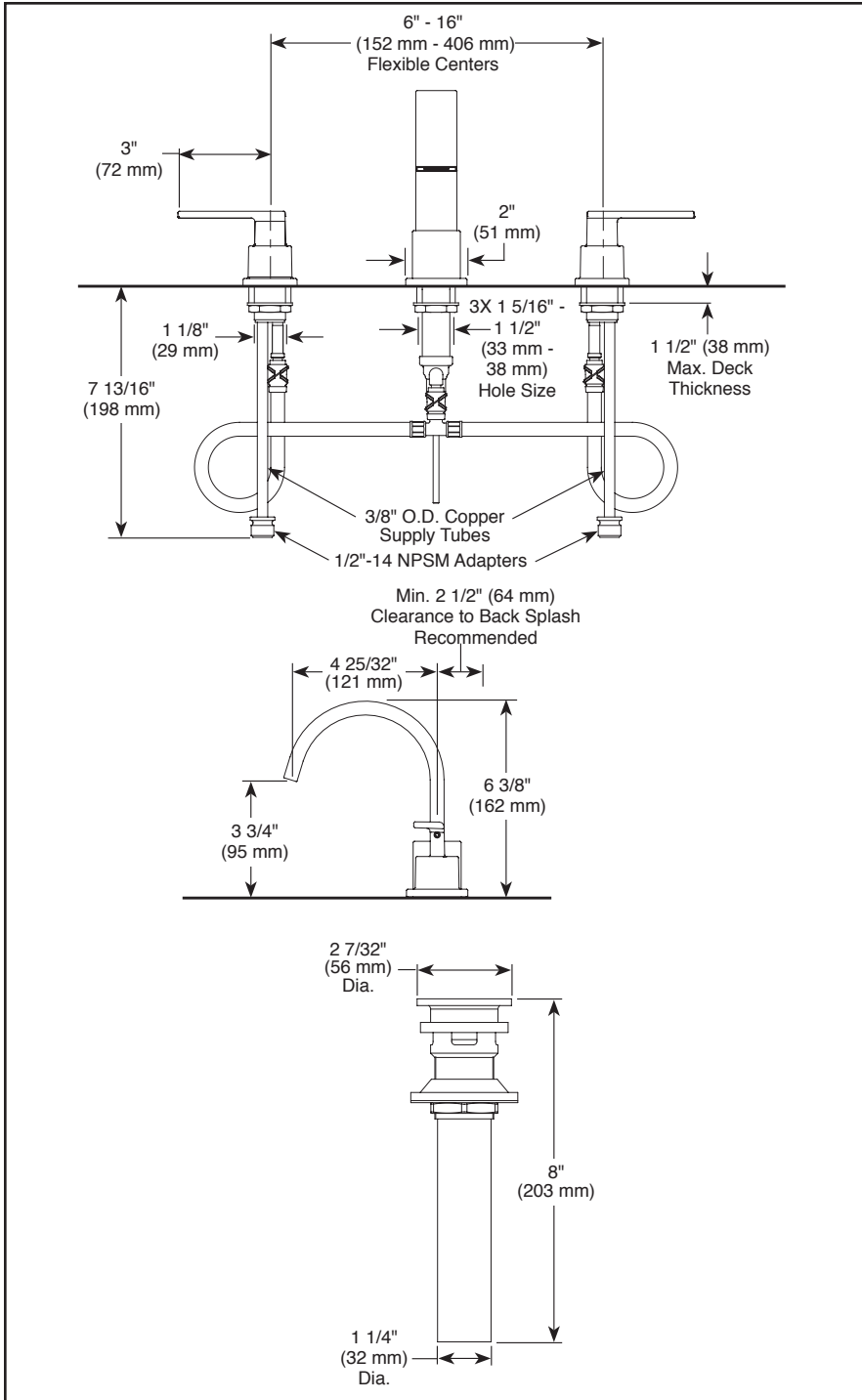
55 E. 111th Street, Indianapolis, IN 46280  
 350 South Edgeware Road, St. Thomas, ON N5P 4L1  
 © 2021 Delta Faucet Company



3553LF▲

Submitted Model No.: \_\_\_\_\_

Specific Features: \_\_\_\_\_



▲ Designate proper finish suffix

Delta reserves the right (1) to make changes in specifications and materials, and (2) to change or discontinue models, both without notice or obligation. Dimensions are for reference only. See current full-line price book or [www.deltafaucet.com](http://www.deltafaucet.com) for finish options and product availability.

123 Residential Ave - New Build  
**Delta 3553LF**  
Supplier: Bob's Plumbing supply  
Subcontractor: Jim's Tile Works

see what Delta can do<sup>SM</sup>

## BATHROOM FAUCET

- **Vero<sup>®</sup> Collection**
- **Two Handle Widespread Deck Mount**

### STANDARD SPECIFICATIONS:

- Max. flow rate 1.2 gpm @ 60 psi, 4.5 L/min @ 414 kPa
- Three hole mount
- Solid brass fabricated end bodies
- 1/4 turn handle stops
- Control mechanism is a rotating cylinder type with stainless steel plate and 90° rotation, with replaceable non-metallic seats
- Models have metal drain with push pop-up type fitting with plated flange and stopper

### WARRANTY:

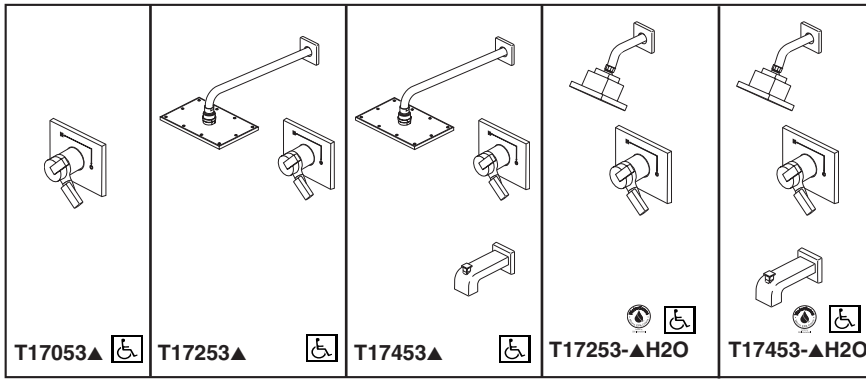
- Parts and Finish - Lifetime limited warranty; or for commercial purchasers, 10 years for multi-family residential (apartments and condominiums) and 5 years for all other commercial uses, in each case from the date of purchase.
- Electronic Parts and Batteries (if applicable) - 5 years from the date of purchase; or for commercial purchasers, 1 year from the date of purchase. No warranty is provided on batteries.



### COMPLIES WITH:

- ASME A112.18.1 / CSA B125.1
- ASME A112.18.2 / CSA B125.2
- ♿ Indicates compliance to ICC/ANSI A117.1 - Valve control only
- EPA WaterSense<sup>®</sup>
- Verified compliant with 0.25% weighted average Pb content regulations

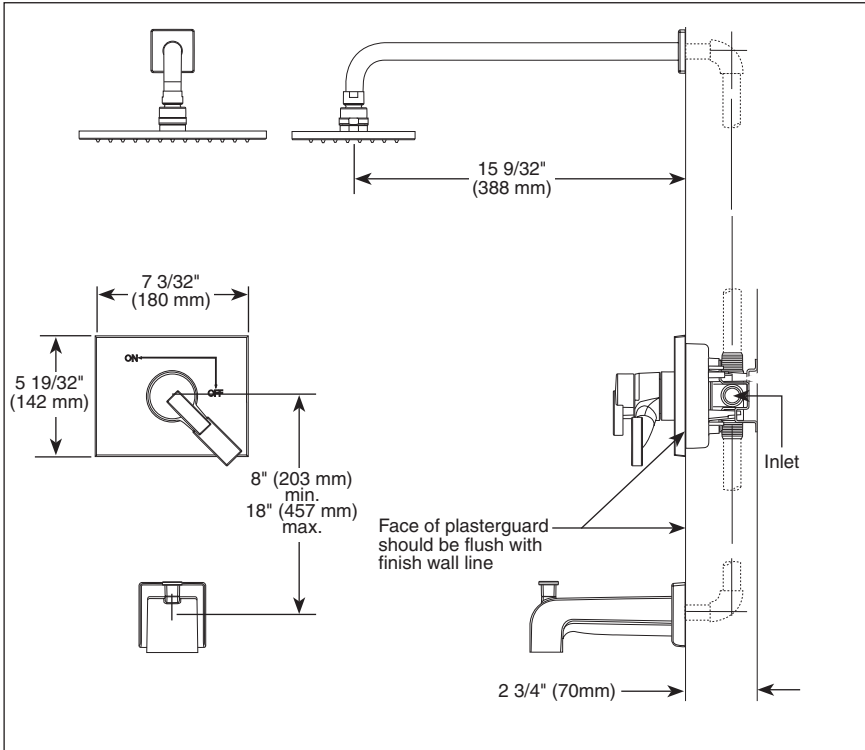
123 Residential Ave - New Build  
**Delta T17253**  
 Supplier: Bob's Plumbing supply  
 Subcontractor: Jim's Tile Works



# TUB AND SHOWER FAUCET TRIM

- Vero Bath Collection
- Valve Only Trim (T17053)
- Shower Only Trim (T17253)
- Tub/Shower Trim (T17453)

Submitted Model No.: \_\_\_\_\_  
 Specific Features: \_\_\_\_\_



### STANDARD SPECIFICATIONS:

- Monitor® 17 Series pressure balanced bath mixing valve with Scald-Guard®.
- Maintains a balanced pressure of hot and cold water even when a valve is turned on or off elsewhere in the system.
- For use with MultiChoice® Universal rough valve body. (R10000 Series)
- Back-to-back installation capability.
- Solid brass forged body.
- Lever volume control handle; temperature adjustment dial.
- Field adjustable to limit handle rotation into hot water zone.
- Maximum dial rotation adjustable between 90° and 180°.
- All parts replaceable from the front of the valve.

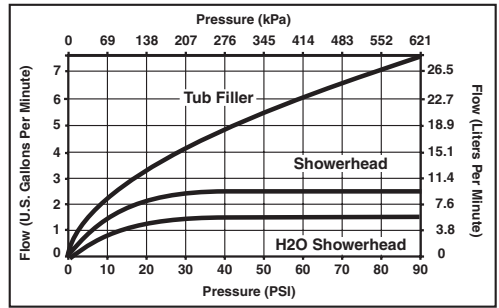
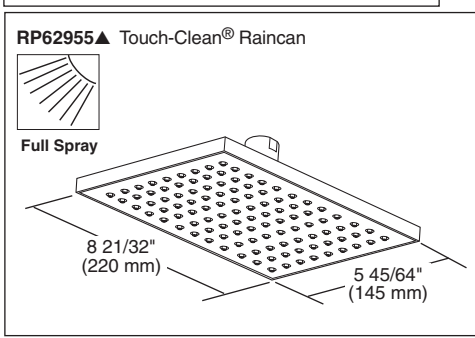
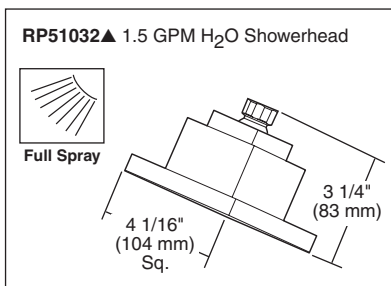
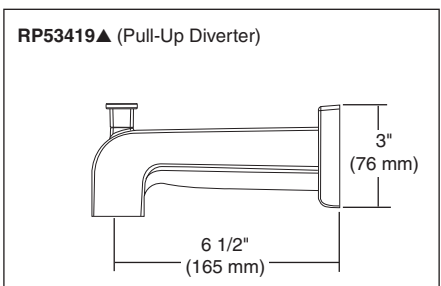
### WARRANTY

- Lifetime Faucet and Finish Limited Warranty to the original consumer purchaser to be free from defects in material and workmanship.
- 5 Year Limited Warranty for usage in all industrial, commercial and business applications.



### COMPLIES WITH:

- ASME A112.18.1 / CSA B125.1
- ASSE 1016
- Indicates compliance to ICC/ANSI A117.1
- EPA WaterSense (**H2O models only**)



▲ Designate Proper Finish Suffix



Delta reserves the right (1) to make changes in specifications and materials, and (2) to change or discontinue models, both without notice or obligation. Dimensions are for reference only. See current full-line price book or www.specselect.com for finish options and product availability.  
 DSP-B-T17053 Rev. B